

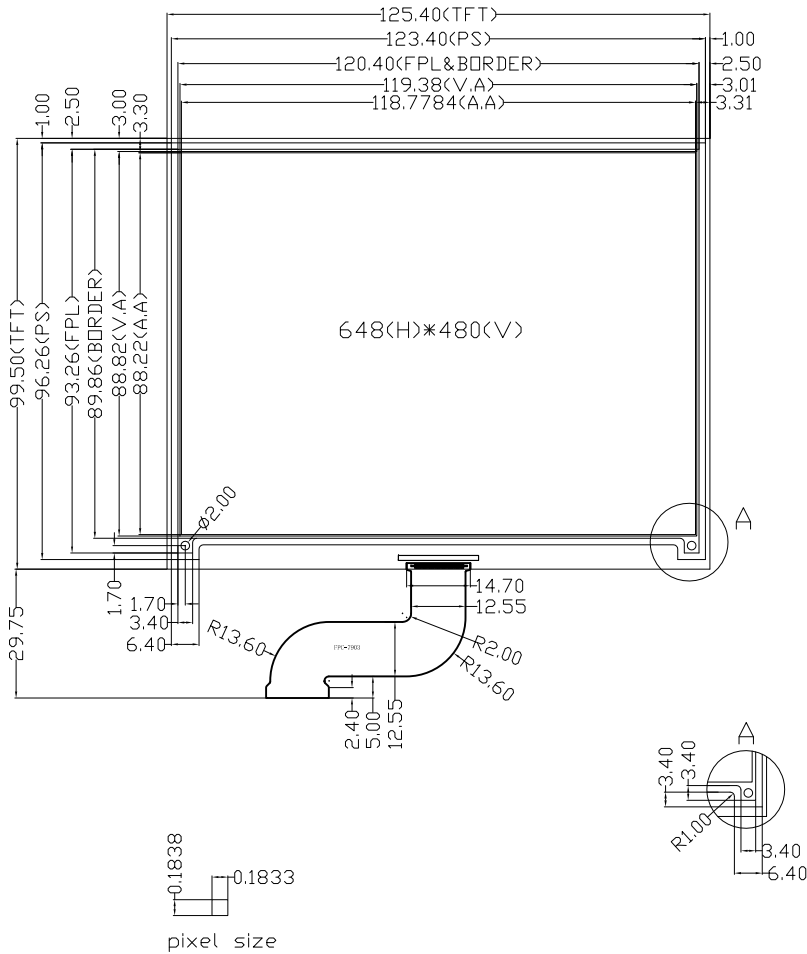
Confirmation:

TOP VIEW

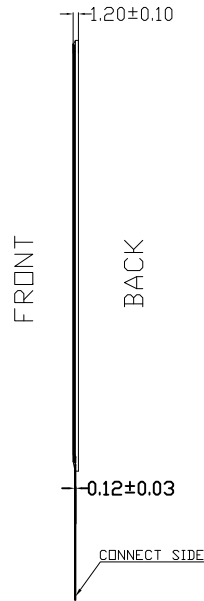
由 Autodesk 教育版产品制作

DATE	REV.	MODIFICATION
2020-03-23	A	FIRST ISSUE
2020-04-21	B	CHANGE TFT

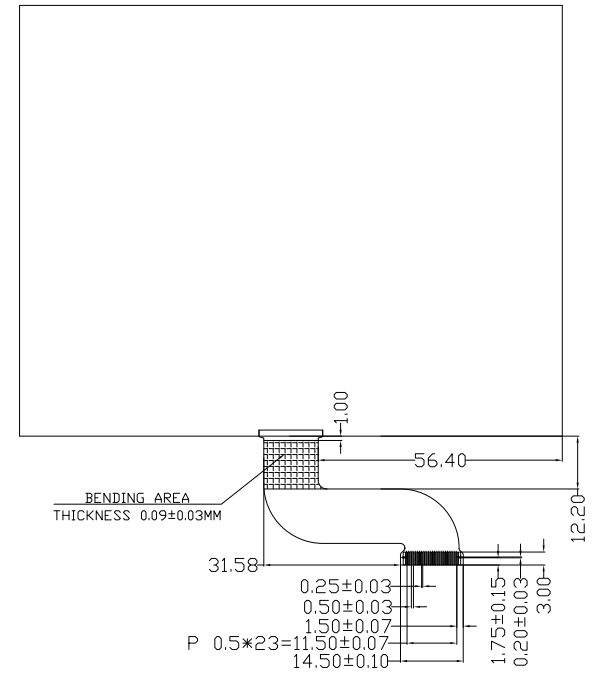
TOP VIEW



SIDE VIEW



BOTTOM VIEW



PIN	SIGNAL
B.P.	BONDING PIN
1	NC
2	GDR
3	RESE
4	NC
5	VDHR
6	TSCL
7	TSDA
8	BS
9	BUSY_N
10	RST_N
11	DC
12	CS_N
13	CLK
14	DATA
15	VDDIO
16	VDD
17	GND
18	VDDD
19	VPP
20	VSH
21	VGH
22	VSL
23	VGL
24	VCOM
B.P.	BONDING PIN

**DKE 东方科脉**

<http://www.china-epaper.com/>



NOTE

- 1 DISPLAY MODULE 5.83" ARRAY FOR EPD
- 2 DRIVER IC:UC8179C
- 3 RESOLUTION:648sourceX480gate
- 4 PIXEL SIZE:0.1833mmX0.1838mm

TOLERANCES	TITLE:	PROJECT:	REV.:	DATE:	CUST. P/N:
UNMARKED	EPD	DEPG0583_ _U790F5	B	20.04.21	
ANGLES±5°	DWN.	CHK.	APPR.	UNIT:	3RD ANGLE:
.X=±0.4mm	DY FU	CC ZHENG	SY ZHAO	mm	
.XX=±0.20mm					1/1

由 Autodesk 教育版产品制作

由 Autodesk 教育版产品制作